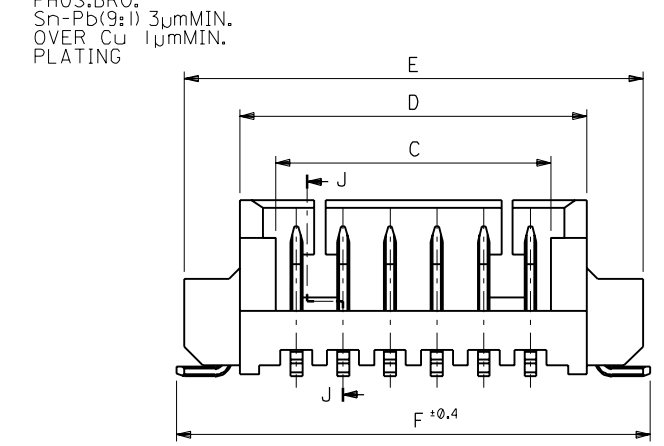
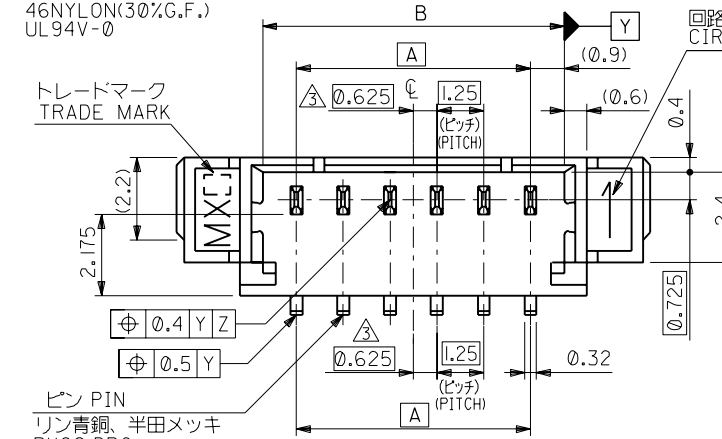
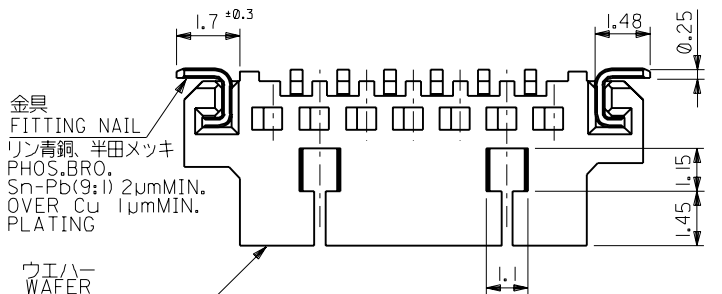
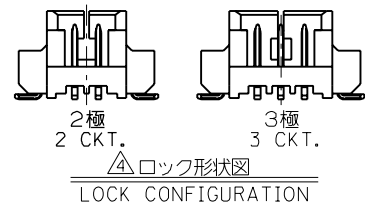
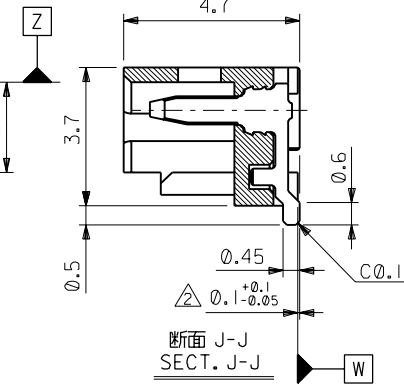
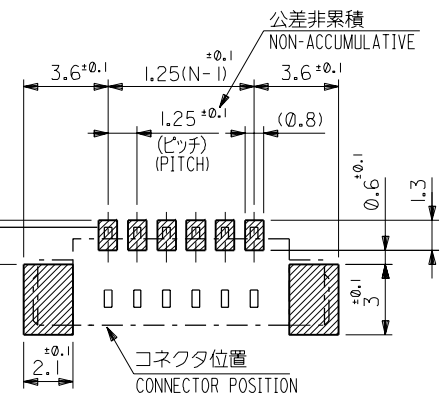


DWG. NO. SD-53398-**-10
 DIMENSIONS IN METRIC DO NOT SCALE DRAWING
 :MM



注記 NOTES

1. 嵌合相手: 51021 シリーズ MATE WITH : 51021 SERIES
 △ 水平面上において、ウエハー底面 [W] とソルダーテール及び
 フィットングネイル底面とのズレ量を示す。
 MISALIGNMENT OF SOLDER TAIL & FITTING NAIL FROM [W]
 △ 偶数極のみ適用。APPLY EVEN CIRCUIT PRODUCTS.
 △ ロック窓は、2、3極は1ヶ所、4極以上は2ヶ所とする。
 LOCKING WINDOW : ONE PLACE FOR 2&3 CKTS.
 TWO PLACES FOR MORE THAN 4 CKTS.

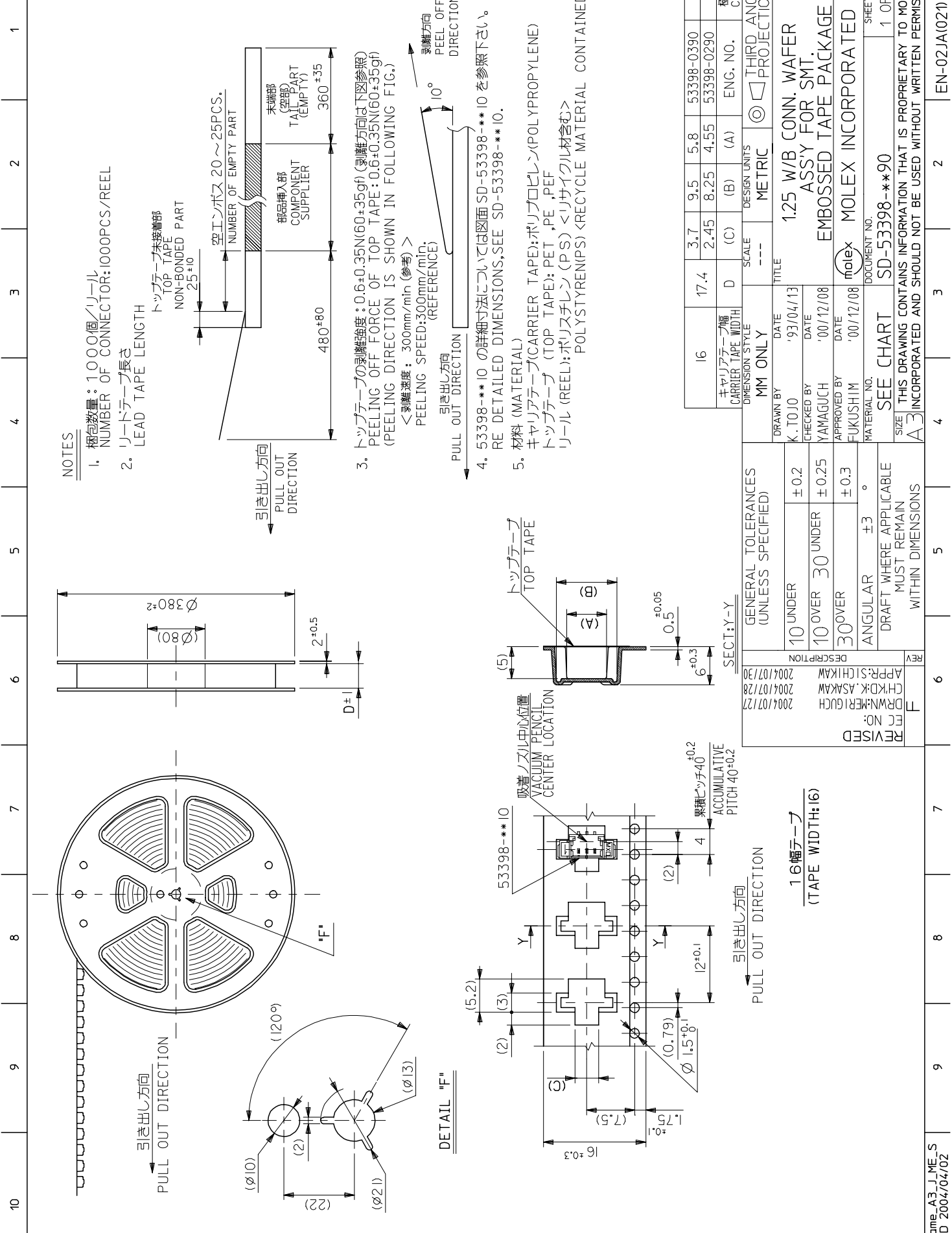


23.9	23.5	20.5	18.6	19.3	17.5	53398-1510	15
22.65	22.25	19.25	17.35	18.05	16.25	↑ -1410	14
21.4	21	18	16.1	16.8	15	↑ -1310	13
20.15	19.75	16.75	14.85	15.55	13.75	↑ -1210	12
18.9	18.5	15.5	13.6	14.3	12.5	↑ -1110	11
17.65	17.25	14.25	12.35	13.05	11.25	↑ -1010	10
16.4	16	13	11.1	11.8	10	↑ -0910	9
15.15	14.75	11.75	9.85	10.55	8.75	↑ -0810	8
13.9	13.5	10.5	8.6	9.3	7.5	↑ -0710	7
12.65	12.25	9.25	7.35	8.05	6.25	↑ -0610	6
11.4	11	8	6.1	6.8	5	↑ -0510	5
10.15	9.75	6.75	4.85	5.55	3.75	↑ -0410	4
8.9	8.5	5.5	3.6	4.3	2.5	↑ -0310	3
7.65	7.25	4.25	2.35	3.05	1.25	↑ -0210	2
F	E	D	C	B	A	ENG. NO.	極数 NO. OF CKTS.

F	変更 REVISED	UC2000-0636	K.K.	00/3/30	材料 MATERIAL	図中参照 SEE DRAWING
E	変更 REVISED	UC800048	H.J.	97/7/5	仕上げ FINISH	—
D	変更 REVISED	U31030	H.H.	93/10/13	適用電線範囲 WIRE RANGE	—
C	変更 REVISED	U30753	K.T.	93/7/29	被覆外径 INS. RANGE	—
B	変更 REVISED	U30610	K.T.	93/6/18	DRAWN BY '92/10/12	CHK'D BY '00/3/30
A	変更 REVISED	U30230	H.H.	93/3/10	K.TOJO	T.YAMAGUCHI
0	新規作成 RELEASED	U20942	K.T.	92/10/12	APP'D BY '00/3/30	M.FUKUSHIMA
DR.	日付 DATE	DR.	日付 DATE	DR.	日付 DATE	DR.

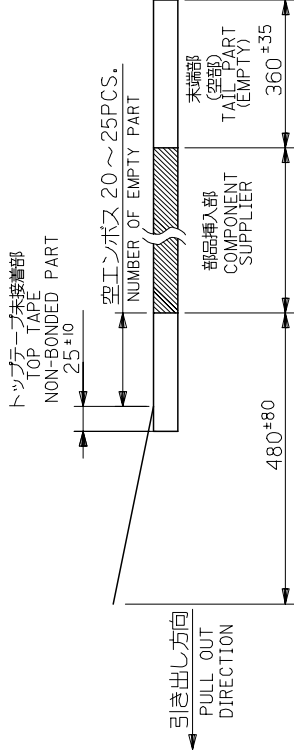
角度 ANGLE	±3°
30以上 OVER	+0.3
10以上 30未滿 OVER 30 UNDER	+0.25
10未滿 UNDER	+0.2
般公差 GENERAL TOLERANCES	

MOLEX JAPAN CO., LTD.
 日本モレックス株式会社
 REVISE ONLY ON CAD SYSTEM
 TITLE 名称
 1.25 WIRE TO BOARD CONN.
 WAFER ASS'Y FOR SMT (ST.)
 DWG. NO. SD-53398-**-10
 REV F



NOTES

1. 梱包数量: 1000個/リール
NUMBER OF CONNECTOR: 1000PCS/REEL
2. リードテープ長さ
LEAD TAPE LENGTH

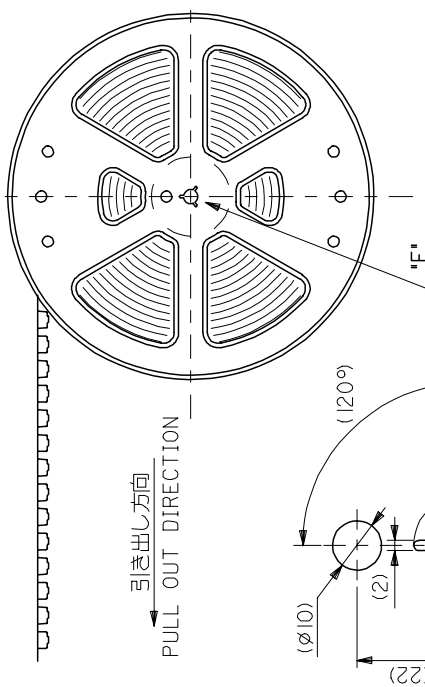
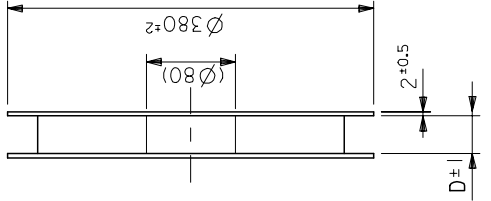


3. トップテープの剥離強度: 0.6±0.35N(60±35gf) (剥離方向は下図参照)
PEELING OFF FORCE OF TOP TAPE: 0.6±0.35N(60±35gf)
(PEELING DIRECTION IS SHOWN IN FOLLOWING FIG.)

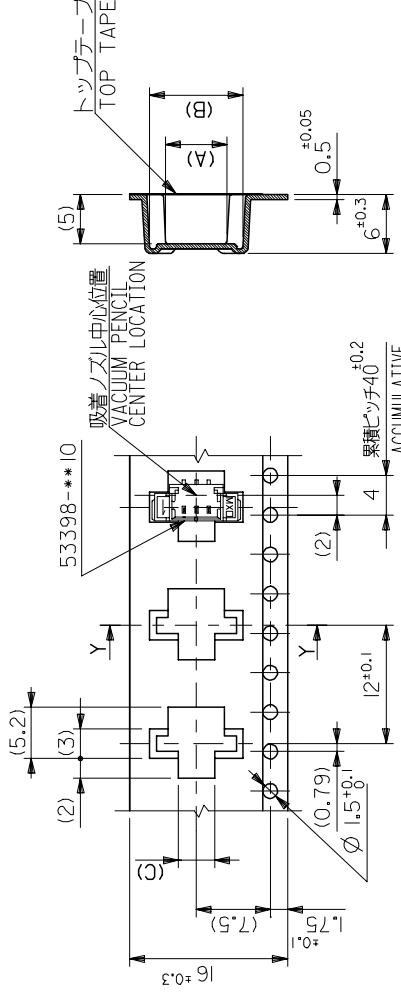


4. 53398-***10 の詳細寸法については図面SD-53398-***10 を参照下さい。
RE DETAILED DIMENSIONS, SEE SD-53398-***10.

5. 材料 (MATERIAL)
キャリアテープ (CARRIER TAPE): ポリプロピレン (POLYPROPYLENE)
トップテープ (TOP TAPE): PET, PE, PEF
リール (REEL): ポリスチレン (PS) <リサイクル材含む>
POLYSTYRENE(PS) <RECYCLE MATERIAL CONTAINED>



DETAIL "F"



SECT: Y-Y



GENERAL TOLERANCES (UNLESS SPECIFIED)	
10 UNDER	±0.2
10 OVER	±0.25
30 OVER	±0.3
ANGULAR	±3 °
DRAFT WHERE APPLICABLE MUST REMAIN WITHIN DIMENSIONS	

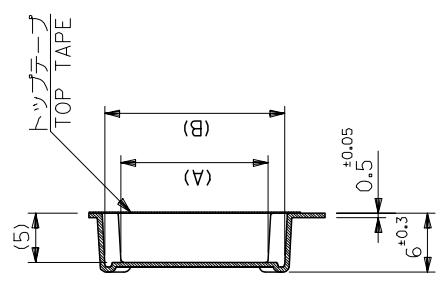
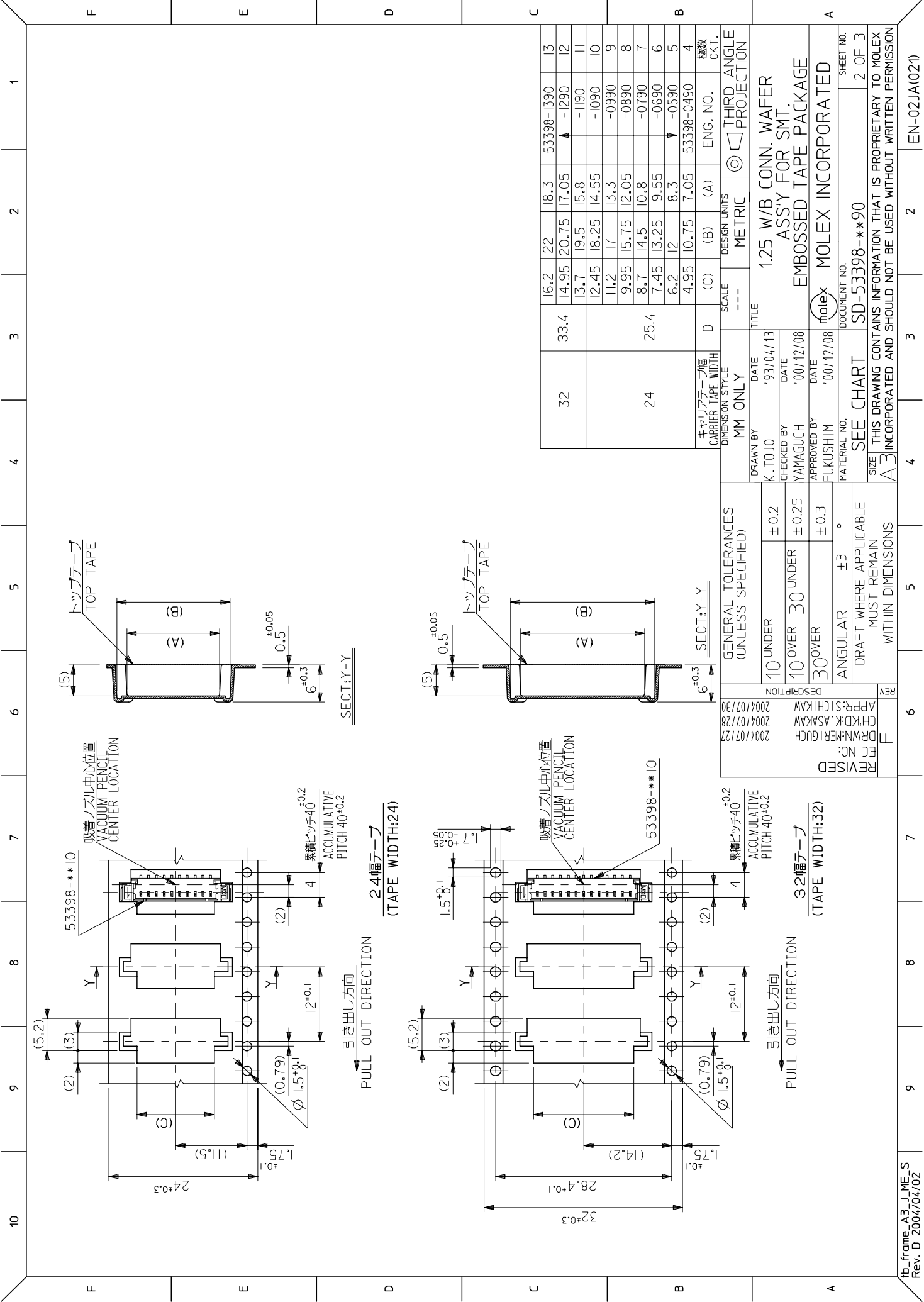
REV	DESCRIPTION
F	REVISED
E	DRW:N.KERIGUCHI
D	CHK:D.K.ASKAW
C	APP: S.ICHIKAWA
B	2004/07/28
A	2004/07/27

16幅テープ
(TAPE WIDTH: 16)

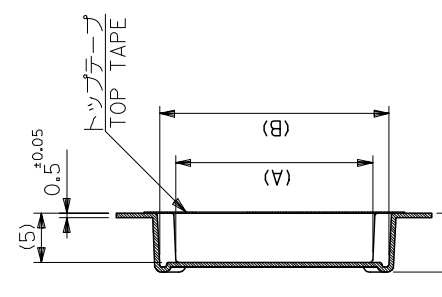
キヤリアテープ幅 CARRIER TAPE WIDTH	SCALE	DESIGN UNITS	THIRD ANGLE PROJECTION
16	17.4	---	◎
3.7	9.5	5.8	53398-0390
2.45	8.25	4.55	53398-0290
D	(C)	(B)	(A)
ENG. NO.			

DRAWN BY	DATE	TITLE
K.T.OJO	'93/04/13	1.25 W/B CONN. WAFER ASS'Y FOR SMT.
CHECKED BY	DATE	
YAMAGUCHI	'00/12/08	EMBOSSD TAPE PACKAGE
APPROVED BY	DATE	
FUKUSHIJI	'00/12/08	

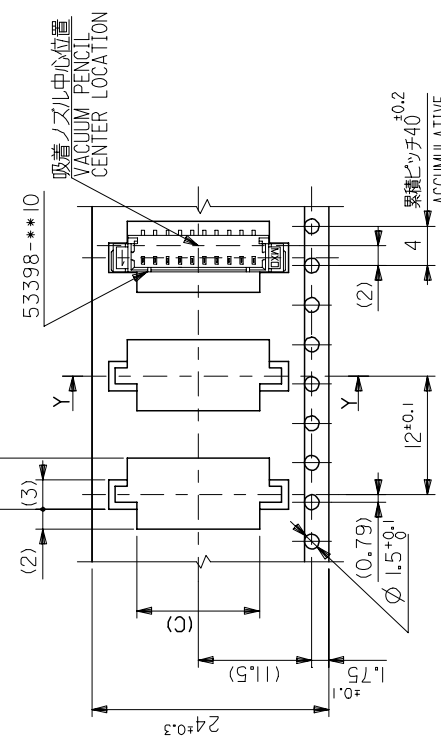
MATERIAL NO.	DOCUMENT NO.	SHEET NO.
SEE CHART	SD-53398-***90	1 OF 3



SECT:Y-Y

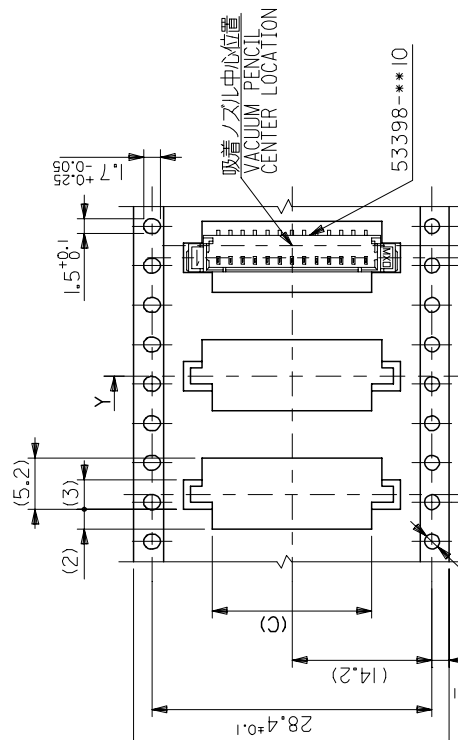


SECT:Y-Y



24幅テープ
(TAPE WIDTH:24)

引き出し方向
PULL OUT DIRECTION



32幅テープ
(TAPE WIDTH:32)

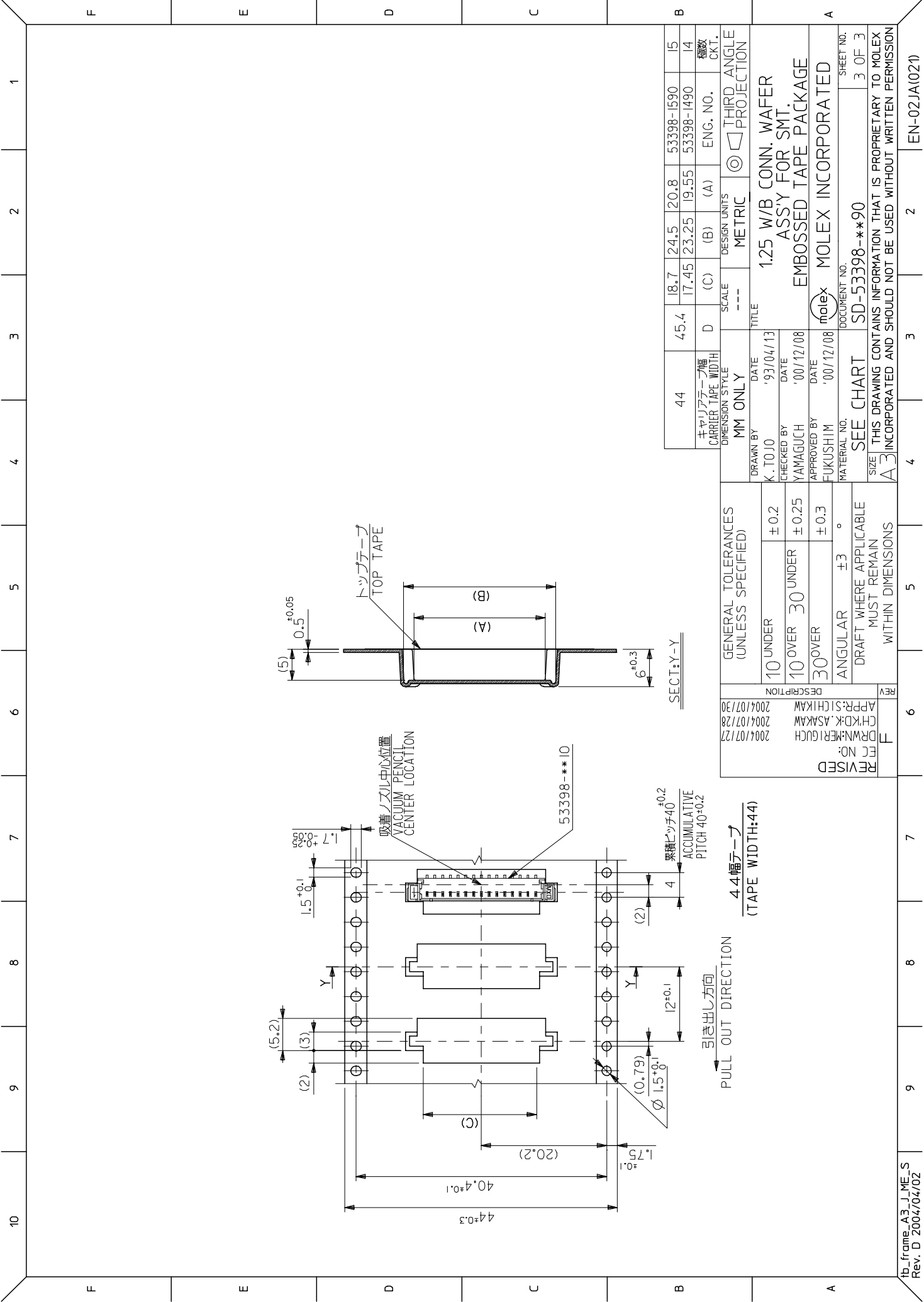
引き出し方向
PULL OUT DIRECTION

32	33.4	16.2	22	18.3	53398-1390	13
		14.95	20.75	17.05	-1290	12
		13.7	19.5	15.8	-1190	11
		12.45	18.25	14.55	-1090	10
		11.2	17	13.3	-0990	9
		9.95	15.75	12.05	-0890	8
		8.7	14.5	10.8	-0790	7
		7.45	13.25	9.55	-0690	6
		6.2	12	8.3	-0590	5
		4.95	10.75	7.05	53398-0490	4

キャリアテープ幅 DIMENSION STYLE	D	(C)	(B)	(A)	ENG. NO.	機敏 CKT.
SCALE	---	---	---	---	---	---
DESIGN UNITS	MM ONLY	METRIC	METRIC	METRIC	METRIC	THIRD ANGLE PROJECTION
TITLE	1.25 W/B CONN. WAFER ASS'Y FOR SMT. EMBOSSSED TAPE PACKAGE					
DRAWN BY	K. TOJO					
DATE	'93/04/13					
CHECKED BY	YAMAGUCHI					
DATE	'00/12/08					
APPROVED BY	FUKUSHIM					
DATE	'00/12/08					
MATERIAL NO.	MOLEX INCORPORATED					
DOCUMENT NO.	SD-53398-**90					
SHEET NO.	2 OF 3					

GENERAL TOLERANCES (UNLESS SPECIFIED)	10 UNDER ±0.2
	10 OVER 30 UNDER ±0.25
	30 OVER ±0.3
ANGULAR	±3°
DRAFT WHERE APPLICABLE MUST REMAIN WITHIN DIMENSIONS	

REV	DESCRIPTION
F	REVISED
	FC NO. 2004/107/27
	DRWNG: YAMAGUCHI
	CHKD: ASAKAWA
	APP: S. CHIKAWA
	2004/107/30



44	45.4	18.7	24.5	20.8	53398-1590	15
キャリアテープ幅 CARRIER TAPE WIDTH	D	(C)	(B)	(A)	53398-1490	14
MM ONLY	SCALE	DESIGN UNITS	THIRD ANGLE PROJECTION			
DRAWN BY K. TOJO	DATE '93/04/13	TITLE	1.25 W/B CONN. WAFER ASS'Y FOR SMT.			
CHECKED BY YAMAGUCHI	DATE '00/12/08	EMBOSSED TAPE PACKAGE				
APPROVED BY FUKUSHIM	DATE '00/12/08	MOLEX INCORPORATED				
MATERIAL NO.	DOCUMENT NO.	SD-53398-**-90				
SEE CHART	SHEET NO. 3 OF 3					
SIZE: THIS DRAWING CONTAINS INFORMATION THAT IS PROPRIETARY TO MOLEX INCORPORATED AND SHOULD NOT BE USED WITHOUT WRITTEN PERMISSION						
A3						

GENERAL TOLERANCES (UNLESS SPECIFIED)	10 UNDER ±0.2
	10 OVER 30 UNDER ±0.25
	30 OVER ±0.3
ANGULAR	±3 °
DRAFT WHERE APPLICABLE MUST REMAIN WITHIN DIMENSIONS	

REV	DESCRIPTION
F	REVISED
	FC NO.
	DRWNG: YERRI GUCH
	CHKD: K. ASAKAW
	APP: S. CHIKAW
	2004/07/28
	2004/07/28
	2004/07/28